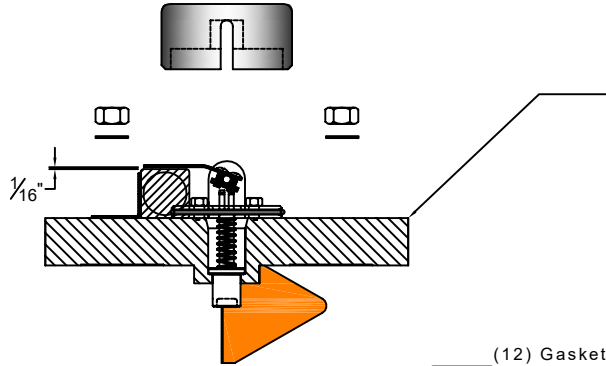
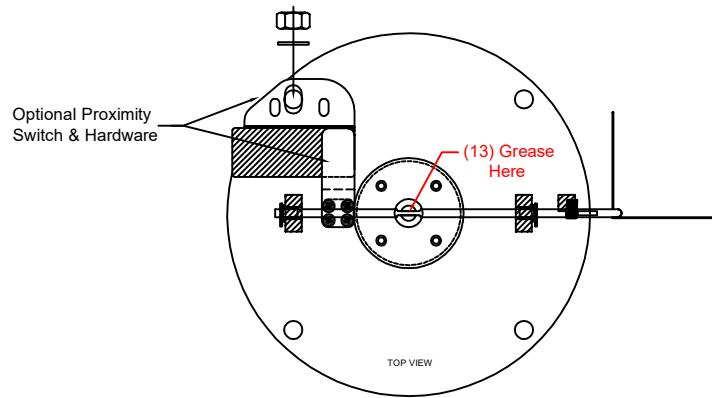
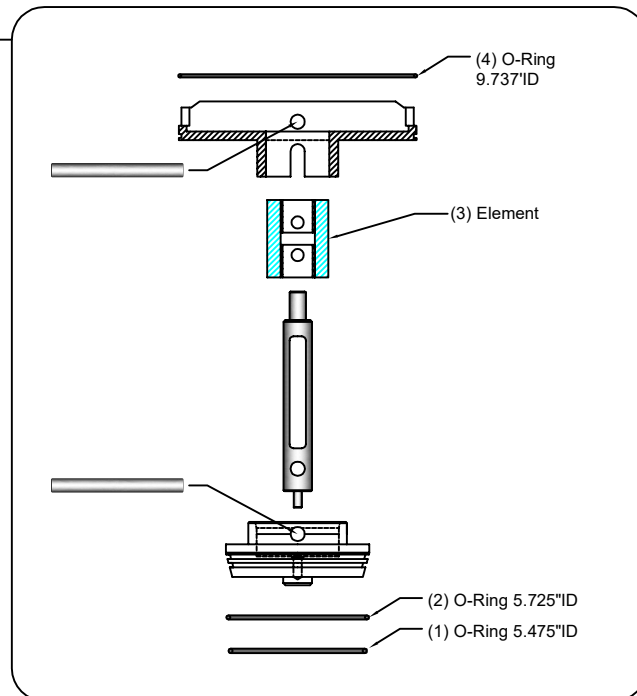
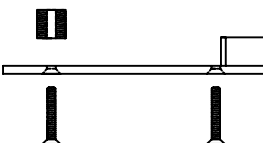
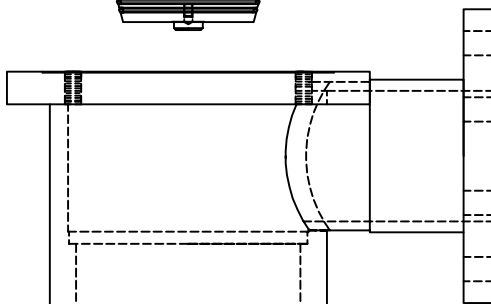
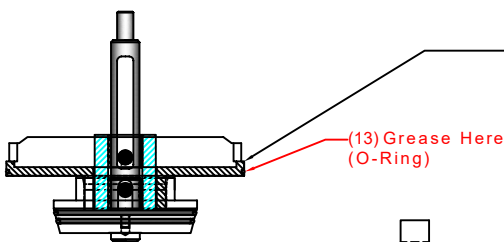
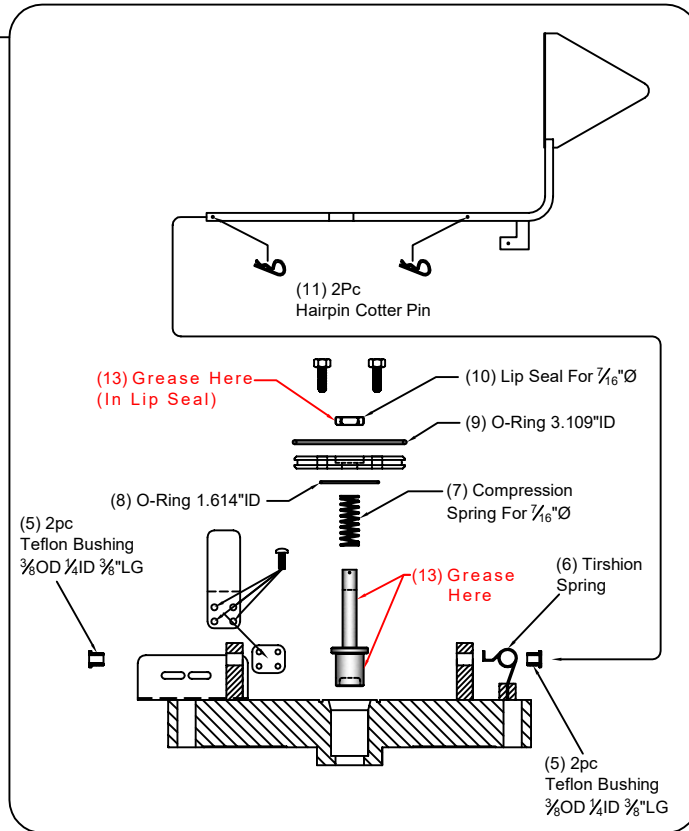
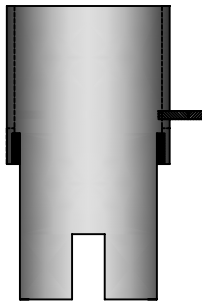


6" Spill Stop Valve Service Kit -SV-6901

Item	Qty.	Description	Part Number
1	1	O-Ring-Lower Stopper (5.48"ID)	SV-6430
2	1	O-Ring-Upper Stopper (5.73"ID)	SV-6425
3	1	Sensing Element (Type-1)	SV-4601
4	1	O-Ring-Stopper Hanger (9.74"ID)	SV-6420
5	2	Sleeve Bearing 3/8"OD 1/4"ID 3/8"LG	SV-4025
6	1	Torsion Spring	SV-4020
7	1	Compression Spring (7/16"Ø Plunger)	SV-4035
8	1	O-Ring 1.61"ID	SV-4410
9	1	O-Ring 3.11"ID	SV-4405
10	1	Lip Seal (7/16"Ø Plunger)	SV-4401
11	2	Hairpin Cotter Pin	SV-4210
12	1	Gasket-Lid 3/16"x11-3/4"x5-7/8"	SV-6415
13	1	Silicone Grease 6g	SV-1910



(12) Gasket
3/16"x5 7/8"x11 3/4"



3", 4" Spill Stop Valve Service Kit -SV-4901

Item	Qty.	Description	Part Number
1	1	O-Ring-Lower Stopper (3.86"ID)	SV-4430
2	1	O-Ring-Upper Stopper (3.98"ID)	SV-4425
3	1	Sensing Element (Type-1)	SV-4601
4	1	O-Ring-Stopper Hanger (6.99"ID)	SV-4420
5	2	Sleeve Bearing 3/8"OD 1/4"ID 3/8"LG	SV-4025
6	1	Torsion Spring	SV-4020
7	1	Compression Spring (7/16"Ø Plunger)	SV-4035
8	1	O-Ring 1.61"ID	SV-4410
9	1	O-Ring 3.11"ID	SV-4405
10	1	Lip Seal (7/16"Ø Plunger)	SV-4401
11	2	Hairpin Cotter Pin	SV-4210
12	1	Gasket-Lid (3/16"x8-7/8"x4")	SV-4415
13	1	Silicone Grease 6g	SV-1910

